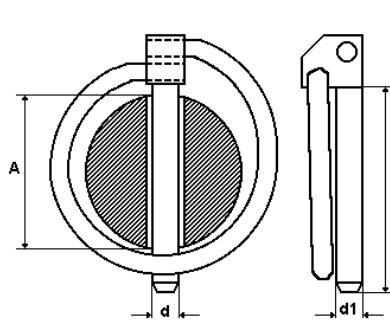


LINCH PINS AND SHAFT LOCKING PINS

These fasteners are supplied in mild steel, with spring steel clips and finished in zinc with yellow chromate.



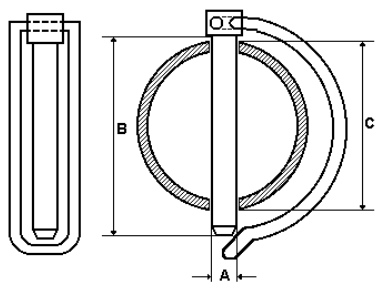
SIZE RANGE – LINCH PINS



Pin Diameter 'd'	Pin Diameter* 'd1'	Pin Length 'l'
4.5	4.5	42
6.0	6.0	42
7.0	6.0	42
8.0	7.0	42
9.0	7.5	42
10.0	8.0	42
11.0	9.0	42

* In pin sizes 4.5 and 6 mm, there is no flat so 'd' is the same as 'd1'

SIZE RANGE – SHAFT LOCKING PINS



Pin Diameter 'A'	Pin Length 'B'	Shaft Diameter 'C' Max
4.5	32	28
4.5	40	36
6.0	32	28
6.0	40	36
6.0	45	40
8.0	40	36
8.0	45	40
8.0	50	45
8.0	60	55
10.0	40	36
10.0	50	45
10.0	60	55
11.0	45	40
11.0	55	50